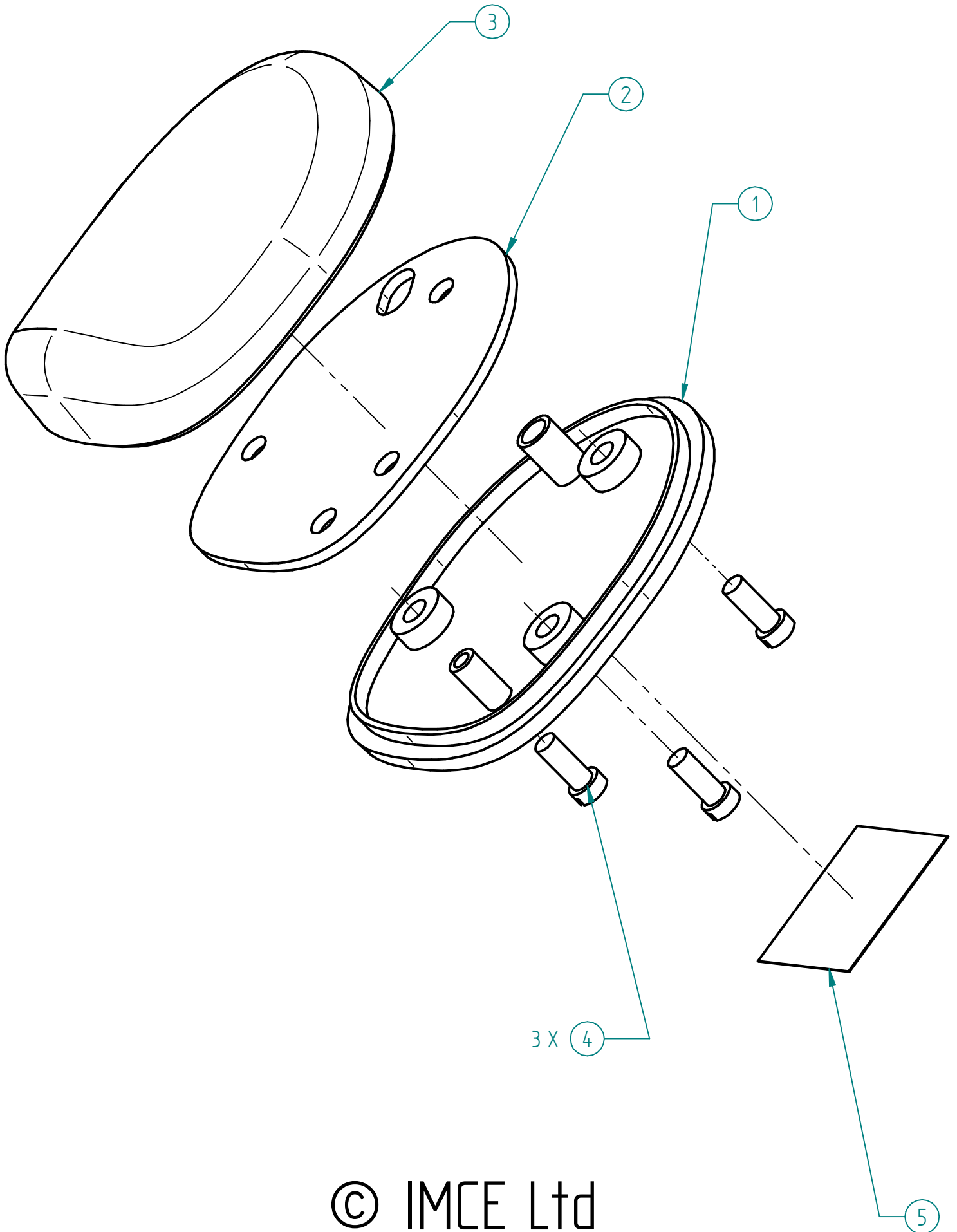
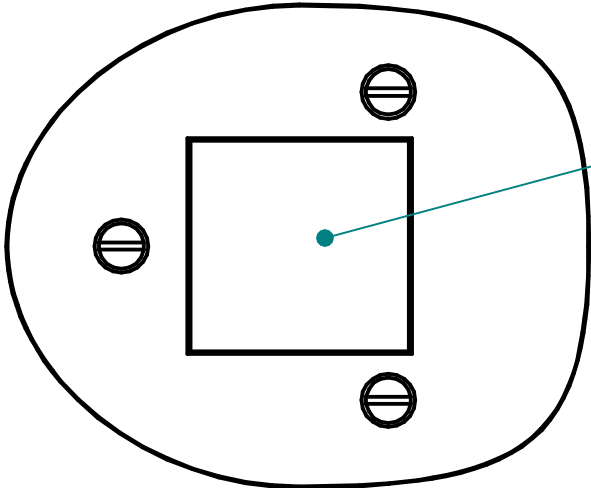


WIDGET EXPLODED VIEW

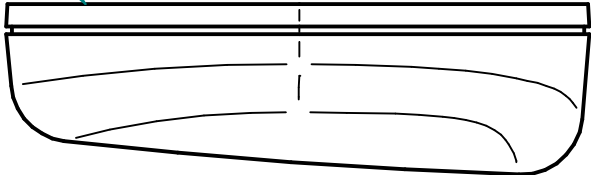


COSMETIC REQUIREMENTS (FORM)

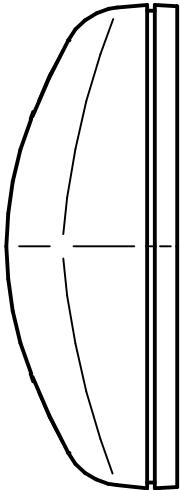
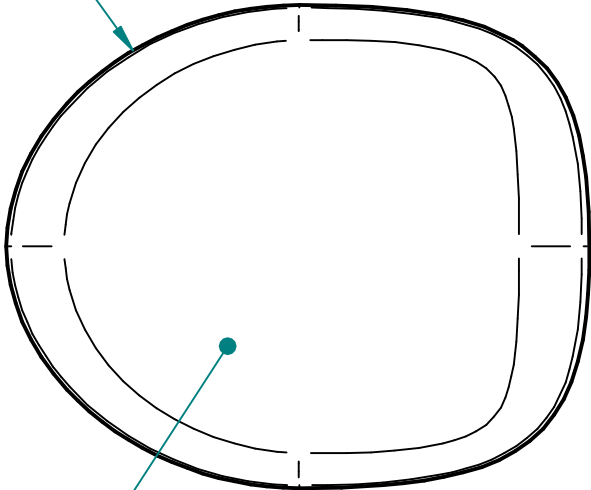
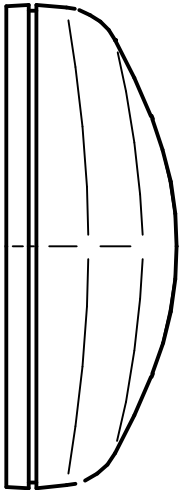


LEGIBLE
PRODUCT
LABEL

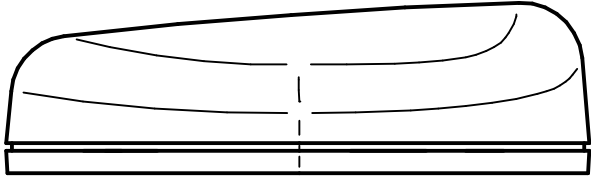
FLUSH, FLAT BASE



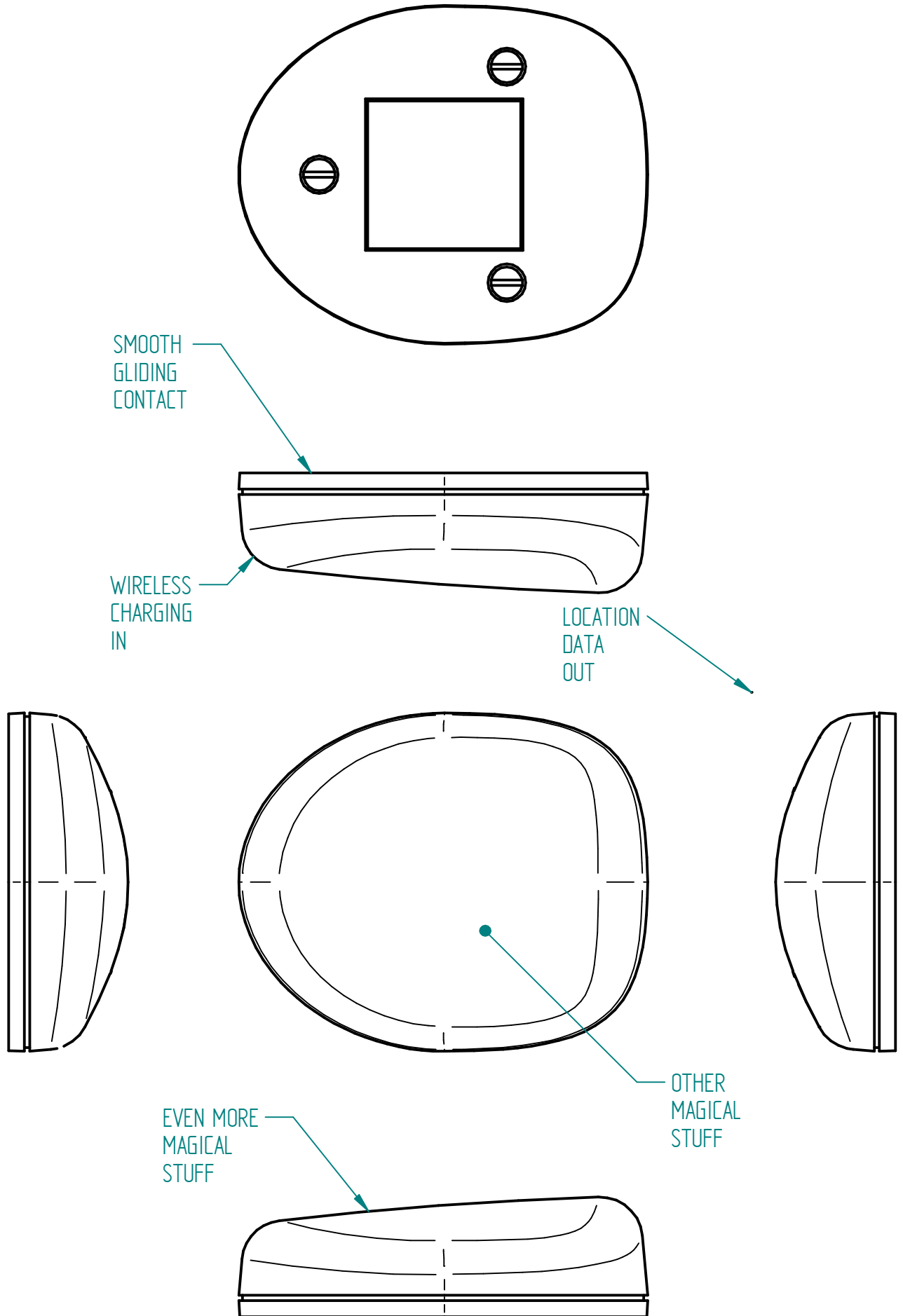
CLOSE PROFILE
MATCH BETWEEN
TOP AND BOTTOM



ATTRACTIVE TOP COVER
UNIFORM COLOUR
FREE FROM SINK MARKS
AND OTHER BLEMISHES



FUNCTIONAL REQUIREMENTS



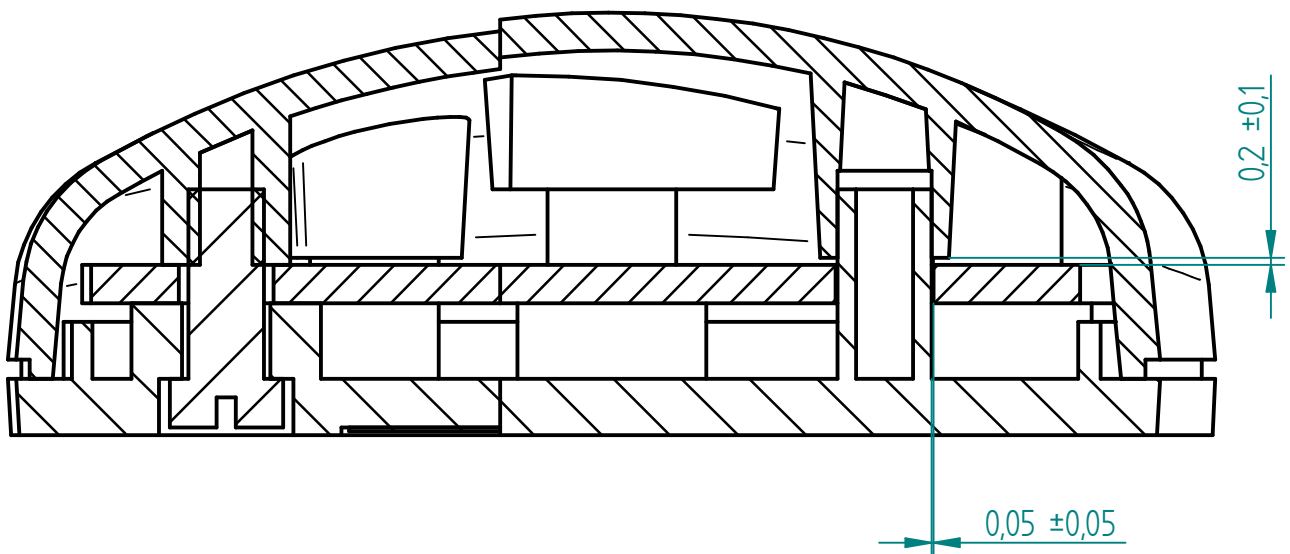
ASSEMBLY SEQUENCE
(USED TO DEFINE FUNCTIONAL DATUMS)

PAGE LEFT INTENTIONALLY
BLANK FOR COPYRIGHT
REASONS

TABLE OF FITS TO BE REVIEWED
(BASIS OF TOLERANCE ANALYSIS WORK)

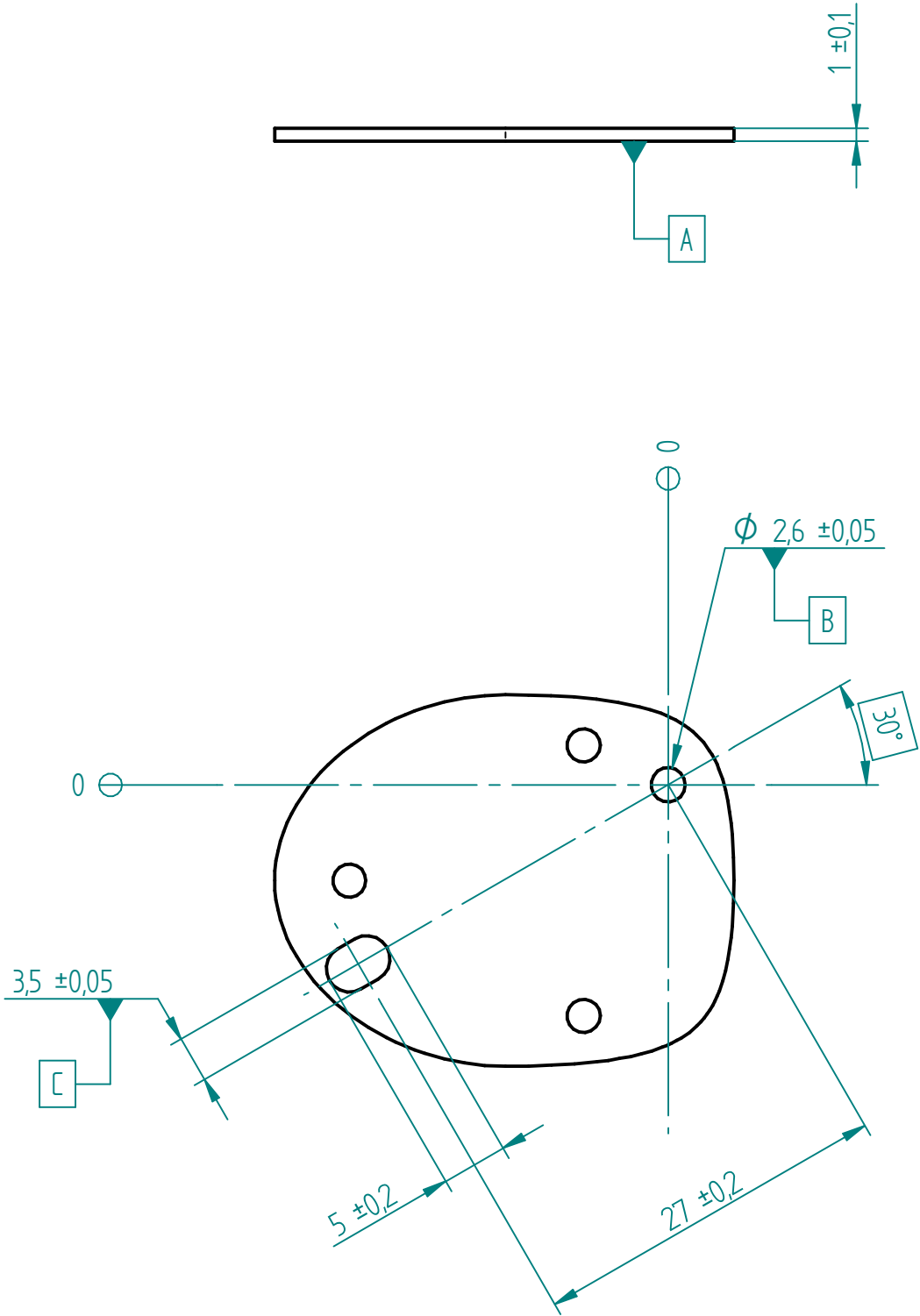
PAGE LEFT INTENTIONALLY
BLANK FOR COPYRIGHT
REASONS

CRITICAL CLEARANCES AND INTERFERENCES
AT ASSEMBLY LEVEL
(TOLERANCE ANALYSIS)



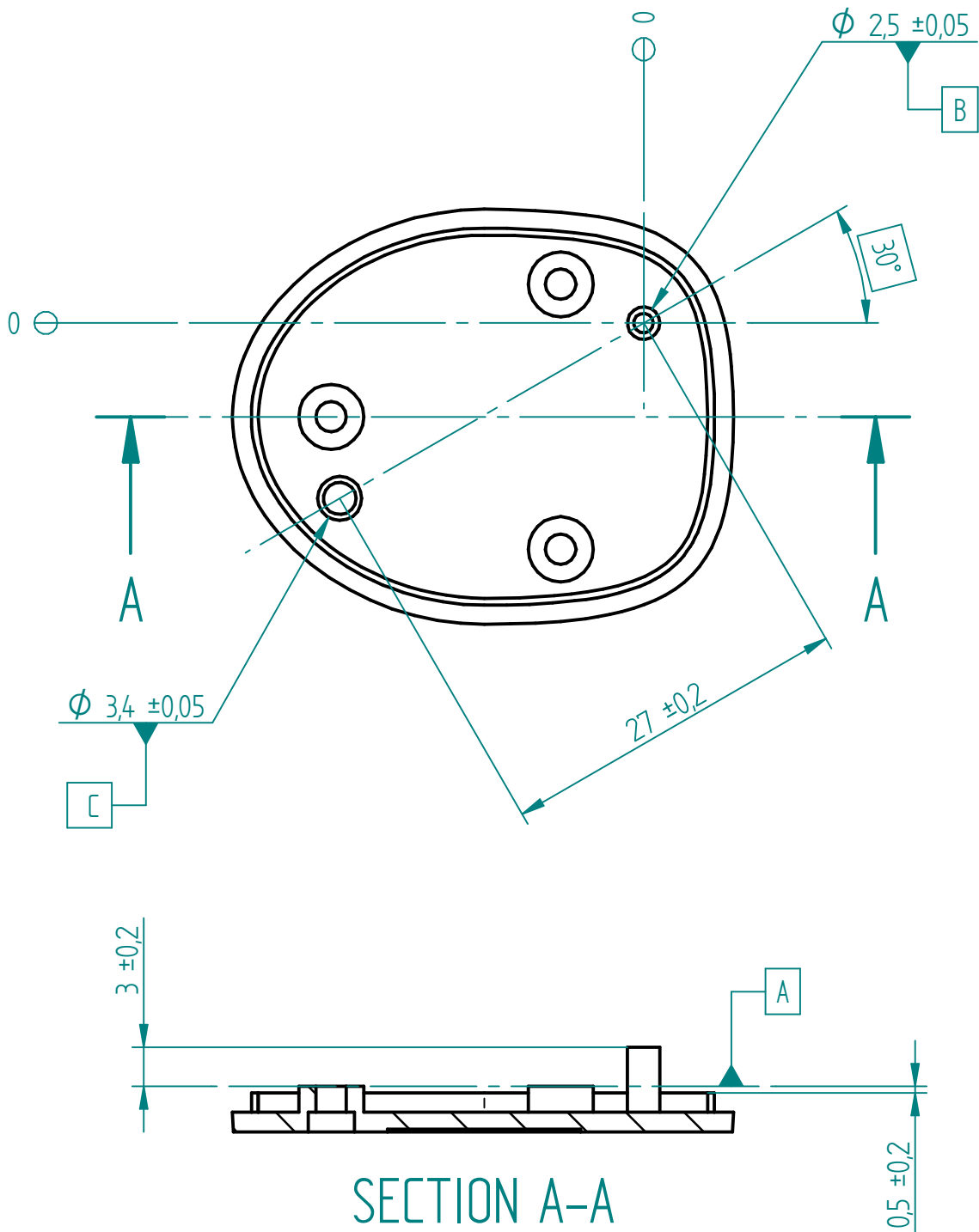
DATUM DEFINITION AND FUNCTIONAL DIMENSIONS USED IN COMPONENT SPECIFICATION

PCB



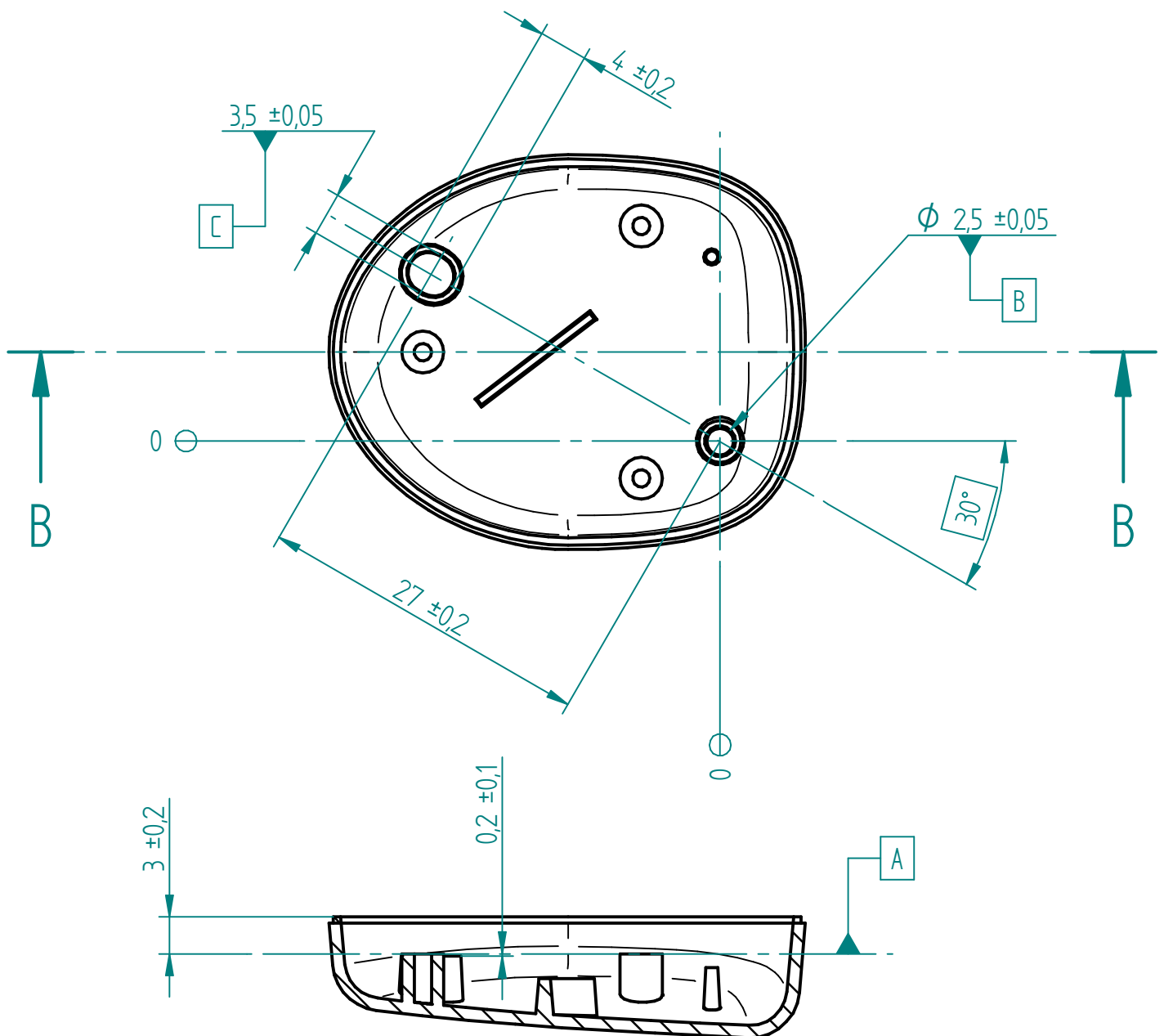
DATUM DEFINITION AND FUNCTIONAL DIMENSIONS USED IN COMPONENT SPECIFICATION

BASE



DATUM DEFINITION AND FUNCTIONAL DIMENSIONS USED IN COMPONENT SPECIFICATION

COVER



SECTION B-B